

Sec. 19.22.3 Reduced Pressure Backflow Preventer Retrofits.

Retrofit: Installation of a Backflow device after the service connection has been established.

General Design Considerations.

- A) The design and construction of the backflow prevention assembly shall meet the requirements called for in this specification.
- B) The nominal size of the backflow prevention device shall be equal to the size of the purchased meter. For example, a (1") meter shall have a (1") backflow prevention device.
- C) The assembly shall include same size valves located on either side of the backflow prevention assemblies. Four test cocks shall be appropriately located on the assembly for testing and certification.
- D) The nominal size of reduced-pressure principle detector assemblies shall be as shown on the Approved Plans or as directed by the Fire Department of jurisdiction.
- E) Enclosures and concrete slabs shall be provided only as shown on the Approved Plans or as required by the agency of jurisdiction.

Sec. 19.22.4 Reduced Pressure Backflow Preventer Device Retrofit –Installed by Property Owner

The property owner shall be responsible for the Reduced Pressure Backflow Device Retrofit. Once the device is installed, passes the backflow test, and meets the District's standards the device will become the property of the District. The device will be charged the standard monthly service charges and will be tested annually.

Upon notification by the District that a Reduced Pressure Backflow Device is needed, the property owner will have sixty (60) days to comply. After sixty (60) days, the District shall have the right to discontinue water service and charge a fee of fifty dollars (\$50.00) to lock the meter. A fee of one hundred (\$100) will be charged for broken or damaged locks. Damage to corp or angle stop in attempt to restore services will be billed at actual time and material and added to the water bill. The water service will be restored only after the fees are paid and the device is installed, passes, and meets the District standards.

Installation.

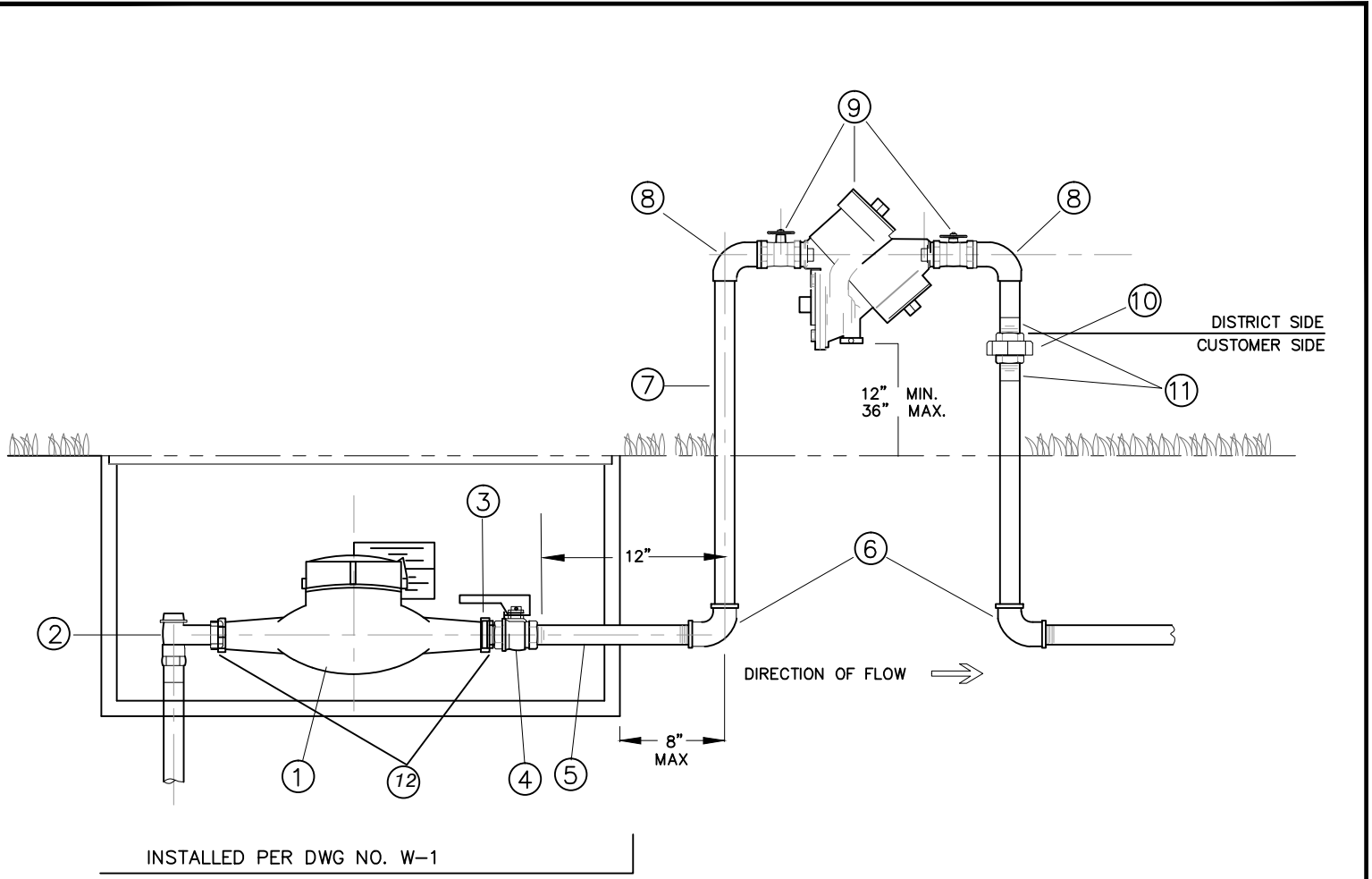
- 1) Installations of retrofit backflow devices will not be performed by District Personnel and is the sole responsibility of the property owner.

- 2) Forty-eight (48) hours prior to installation, the Backflow Department will be notified at (760) 728-1125, extension 1129. Installations and inspections will be scheduled Monday through Thursday's only – excluding all District holidays. District personnel will shut off the angle stop before the meter. If the installer or property owner shuts off the angle stop and causes damage, the installer and property owner will be responsible for damages. The damages will be calculated at a time and materials rate.
- 3) Installation shall comply with the latest edition of the Uniform Plumbing Code and applicable District requirements.
- 4) Backflow prevention assemblies shall be installed in accordance with the District's standard drawings.
- 5) Water service and fire service shut-off valves will be secured closed during installation until an approved backflow prevention device is installed and tested in compliance with this specification.
- 6) When static pressure exceeds 175 psi, a pressure-reducing valve may be installed. Please contact the Backflow Department for determination of necessity.
- 7) After installation of the backflow device, the Backflow Department must be notified to inspect the installation to insure that the device meets the District specifications. It will then be tested by District personnel.
- 8) There will be no charge if the backflow device is installed correctly and test properly on the first inspection. If the backflow device fails the first test, it shall be the responsibility of the property owner to have any necessary repairs made. Repairs must be made according to District specifications. Any additional inspections will be charged one hundred twenty dollars (\$120.00) plus the costs of parts if needed.
- 9) Backflow / RP device charges will be adjusted annually based on the ENR (Engineering News Record) Construction Cost Index (CCI) of February. Staff will report back to the Board of Directors no less than every five (5) years with analysis comparing fees to actual costs.
- 10) Any damages or leaks after the customer shut-off valve will be the property owner's responsibility.

Sec. 19.22.5

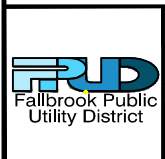
Well Destruction and Alteration.

To protect the State's groundwater supplies, the Legislature authorized the establishment of standards (Department of Water Resources



MATERIAL LIST

ITEM	QTY	PART TYPE	PART NO.	PART NO.
1	1	METER (SUPPLIED BY THE DISTRICT)	3/4" OR 1" METER	1.5" OR 2" METER
2	1	ANGLE STOP	JONES 1527, FIP	JONES 1527 F
3	1	METER CONNECTION	MIP	FLANGE
4	1	BALL VALVE, BRASS, W/ LOCKING WING	E-1903W (W/HANDLE)	E-1913W (FLG W/HANDLE)
5	1	COPPER OR BRASS NIPPLE	(12" MAX. LENGTH)	(12" MAX. LENGTH)
6	2	90° EL	C X FIP 90	C X FIP 90
7	REQ'D	TYPE K HARD COPPER PIPE	TYPE K	TYPE K
8	2	90° EL	C X MIP 90	C X MIP 90
9	1	R.P. DEVICE WITH BALL VALVES	WILKINS 975XL	WILKINS 975XL2 (lead free)
10	1	UNION, THREADED BRASS	FIP X FIP	FIP X FIP
11	2	ADAPTER	C X MIP ADAPTER	C X MIP ADAPTER
12	2	USE FPU D APPROVED GASKET WASHERS.	CLOTH INSERTED W/ FABRIC FINISH, 1/8" THICK	FLANGE GASKET



REV. DATE	BY	APPV'D
2/23/17	SMD	JB



3/4" TO 2" METER WITH REDUCED PRESSURE BACKFLOW DEVICE

DRAWING NO.
W-1A